

COMMERCIAL CATALOG 2015



blendtec[®]
COMMERCIAL



“ We beat these machines up. We’re blending thousands and thousands of smoothies and drinks a day. Blendtec machines are **the only blenders that allow us to output such a high volume** and consistently provide a completely smooth product.”

NIKKI KAPLAN

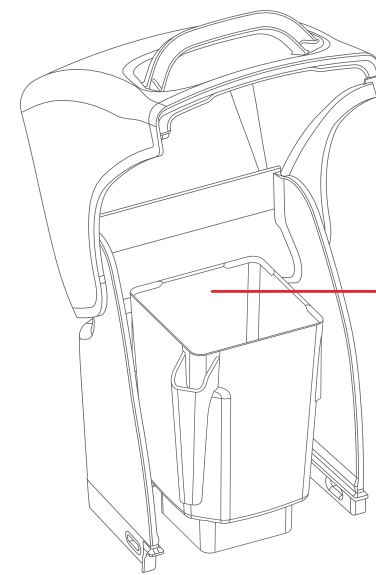
Owner/Operator, Planet Smoothie at Penn Station
New York, New York

POWERING SUCCESSFUL BUSINESSES

WITH THE WORLD'S MOST ADVANCED BLENDER™

Pushing culinary boundaries. Serving more customers. Making and saving money. Whatever your goal, Blendtec commercial equipment makes it easier to achieve.

THE BLENDTEC DIFFERENCE



Durable, BPA-free Jar

Lightweight, stackable jars feature an innovative design that increases blending efficiency and reduces overall blending time.



Blunt Safety Blade

Completely safe to use and clean, and up to 80% thicker and 10 times stronger than competitors' blades.



Hardened Metal Drive Socket

Never needs to be replaced, reducing overall cost of ownership, unlike other brands with plastic drive sockets that break easily.



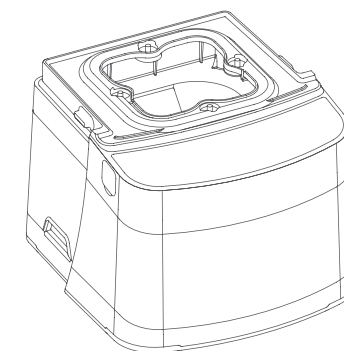
Ultra High-speed Commercial Motor

The industry's largest motors blend the toughest ingredients perfectly smooth.



Smart Touch Interface

User-friendly interface offers one-touch blending for easy operation and consistent results.





BLENDERS

blendtec.
COMMERCIAL

STEALTH 875™



3 YEAR
WARRANTY

3.8 PEAK HP

The Ultimate, Quiet Commercial Blender

For the ultimate in quality, power, and functionality, look no further than the award-winning Stealth 875. Features like customizable preprogrammed cycles and capacitive touch controls combine with innovative Stealth technology and industry-leading power to bring you the quietest, most advanced commercial blender in the world.

Color Options

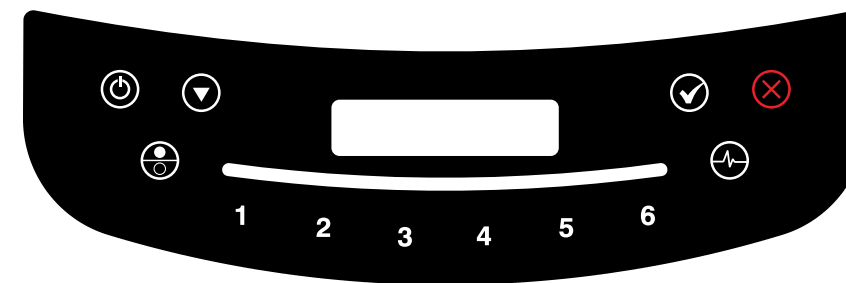


BLACK

CAPPUCCINO

POMEGRANATE

Interface



Stealth Technology

The Stealth 875 includes a sleek sound enclosure and proprietary sound dampening and airflow innovations. These features allow it to operate at a sound level comparable to a normal conversation without compromising the power Blendtec® is famous for, proving you can still have industrial strength power without industrial strength noise.

Customizable Preprogrammed Cycles

The Stealth 875 comes equipped with 42 preprogrammed cycles and a USB port. For even greater customization, users can create custom drink programs with the online BlendWizard™. This tool can create an unlimited number of blend cycles, and up to 14 can be stored on the blender.

Advanced Design and Functionality

The Stealth 875's cutting-edge design and functionality deliver an advanced yet user-friendly blending experience. The 11-speed capacitive touch slider provides precision speed control, and the pulse button adds a burst of power. For customers who prefer a lower profile, an in-counter model is also available.

Features

MOTOR	3.8 peak horsepower
RECOMMENDED DAILY BLENDS	200+
PROGRAM CYCLES	42 preprogrammed cycles, Pulse, Manual Speed

CONNOISSEUR 825™



3 YEAR
WARRANTY

3.8 PEAK HP

High Volume, Low Noise

The Connoisseur 825 boasts industry-leading power and a wide range of state-of-the-art features designed to ensure speed, consistency, and quality with each and every order.

Color Options



BLACK

Interface



Durable High-speed Motor

Perfect for high-volume shops, the Connoisseur 825 is a workhorse built with longevity in mind. The 3.8 peak horsepower motor easily powers through the toughest ingredients, like ice and frozen fruit, without skipping a beat.

Customizable Preprogrammed Cycles

The Connoisseur 825 includes 30 preprogrammed cycles that can blend your most popular recipes with perfect consistency. Our downloadable tool allows users to create an unlimited number of customized recipes, 6 of which can be stored on the blender at a time. Each cycle shuts off automatically, freeing up operators for other tasks.

Sound Enclosure

For shops where noise is a consideration, the sound enclosure cuts down on blender noise, helping ensure an undisrupted atmosphere.

Features

MOTOR	3.8 peak horsepower
RECOMMENDED DAILY BLENDS	150+
PROGRAM CYCLES	30 preprogrammed cycles, Pulse

CHEF 775™



3 YEAR
WARRANTY

3.8 PEAK HP

Powerfully Versatile

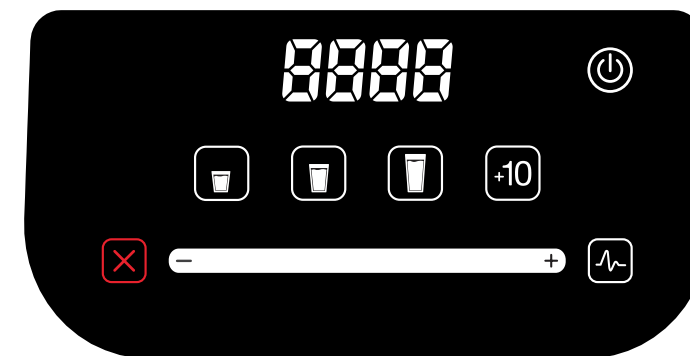
The Chef 775 combines versatility with innovative technology to consistently produce the perfect blends. Whether you're mixing drinks at the bar or creating new recipes in the back of house, the Chef 775 has the features you need to make each dish a masterpiece.

Color Options



BLACK SLATE GREY CAPPUCCINO POMEGRANATE

Interface



SmartBlend™ Technology

The Blendtec® Chef 775 is truly the blender with a brain. Our exclusive SmartBlend technology senses and identifies potential problems that could interfere with the blend—including loading errors, overheating, or air pockets—and then offers solutions.

8-Speed Capacitive Touch Slider + Pulse

The capacitive touch slider provides seamless precision speed control; simply move your finger up and down the slider to fine tune your blender's speed. The Pulse function adds a burst of speed and power.

"Add 10" Function

The "Add 10" icon allows users to add 10-second intervals to blend cycles, providing completely customized blends. It also acts as a stand-alone 10-second cycle.

Modern, Sophisticated Design

The Chef 775's slim design and chic palette of colors make it the perfect—and stylish—fit for any restaurant.

Features

MOTOR	3.8 peak horsepower
RECOMMENDED DAILY BLENDS	100+
PROGRAM CYCLES	Small, Medium, Large, +10, Pulse, Manual Speed
PROFILES	Smoothie, Coffee, Milkshake

EZ 600™



1 YEAR
WARRANTY

3.0 PEAK HP

Beverage Blending on a Budget

The EZ 600 is the ideal solution for businesses that want to launch a basic drink program. The EZ 600 provides entry-level pricing without compromising the power and quality Blendtec® is famous for.

Color Options



BLACK

POLAR
WHITE

SLATE GREY

CAPPUCCINO

POMEGRANATE

Interface



Customizable Cycles

For shops that offer just one type of drink or businesses that want to ease into a drink program, the EZ 600 can be customized to your needs. Machines can also be programmed with specific profiles, including smoothie, coffee, or milkshakes, for the unique requirements of different drinks.

Simple Controls

Operating the EZ 600 couldn't be easier. Presets for Small, Medium, and Large beverages make it easy for anyone to operate with little training. Each setting shuts off automatically, and a Pulse button provides a quick burst of needed speed and power.

Powerful, Ultra High-speed Motor

The EZ 600 boasts a 3.0 peak horsepower motor, one of the largest in the industry. It quickly and effortlessly blends tough ingredients like ice and frozen fruit to a perfectly smooth consistency each and every time.

Features

MOTOR	3.0 peak horsepower
RECOMMENDED DAILY BLENDS	60+
PROGRAM CYCLES	Small, Medium, and Large + Pulse
PROFILES	Smoothie, Coffee, Milkshake

CHEF 600™



1 YEAR
WARRANTY

3.0 PEAK HP

Culinary Control

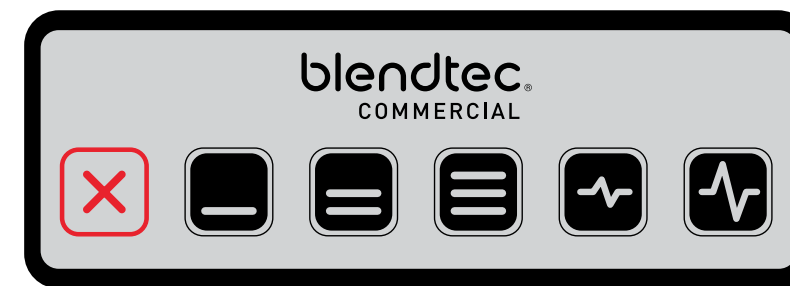
The all-new Chef 600 was designed to meet the unique needs of culinary chefs. It provides entry-level pricing while offering blender speeds and controls engineered specifically for food prep in commercial kitchens.

Color Options



BLACK

Interface



Low and High Pulse

For greater flexibility, the Chef 600 offers two different pulse settings. The Low Pulse runs at a lower speed, making it ideal for chopping or mixing fragile ingredients, while the powerful High Pulse is ideal for blending and puréeing.

One-Touch Kitchen Controls

The Chef 600 gives you complete control with one-touch kitchen controls specifically designed for food prep. Each setting runs at a consistent speed without the varying speeds of blend cycles and can be shut off manually or automatically after 90 seconds.

Powerful, Ultra High-speed Motor

The Chef 600 boasts a 3.0 peak horsepower motor, one of the largest in the industry. This commercial-grade motor is built to last and has the power needed to handle any job.

Features

MOTOR	3.0 peak horsepower
RECOMMENDED DAILY CYCLES	60+
SPEEDS	Low, Medium, High
PULSE	High, Low

HEART, SOUL AND COLD-FORGED STEEL

Just some of the things that set Blendtec apart from all other blenders.

45 years ago in California, a blender broke. The demise of his new wedding gift awoke something in Tom Dickson. The engineer-inventor (and incurable tinkerer) became both frustrated and fascinated. That put in motion a lifelong quest to build a blender that would not break.

It wasn't long until he created a blender that outperformed commercial blenders of the time. And businesses and restaurants began to take note.

THE WORLD'S MOST ADVANCED BLENDER.

From that moment forward, our company has only grown—and so has our passion to make the most durable commercial blenders. And along the way, the world's strongest blender has become the most advanced. Decades of innovation have led to industry firsts like stackable blending jars, space-saving low profiles, the quietest commercial blenders, preprogrammed cycles, and one-touch controls.

The quality, durability, and high-tech features of Blendtec commercial blenders have made them a favorite in restaurants, coffee shops, and smoothie shops around the world.

A PARTNERSHIP YOU CAN COUNT ON

Pride in our products has become so deeply engrained in Blendtec culture that it influences every aspect of our business. The same relentless attention to detail that goes into every blender made in our Utah facility extends to our customer service.

We want our customers to be as thrilled with their Blendtec as we are. From providing the industry's best warranty to continually innovating and improving, we do whatever it takes to make that happen. That's because the real strength of Blendtec goes beyond watts and horsepower—it's in all the amazing things that Blendtec enables successful businesses to achieve.



TOM DICKSON
Founder and Executive Chairman, Blendtec

**BLENDTEC IS MORE
THAN A BLENDER—
WE'RE A COMPANY THAT IS
POWERING SUCCESSFUL
BUSINESSES.**





1 YEAR
WARRANTY

3.0 PEAK HP

SELF SERVE™
SMOOTHIE MACHINE

Self Serve Smoothie Machine

Now your customers can create their own hassle-free smoothies with the touch of a button! Ideal for convenience store owners, the Blendtec® Self Serve Smoothie Machine takes the work out of blended drink programs. This fully-enclosed beverage system creates over 150 drink combinations.

In addition to producing fully-blended drinks, the Self Serve Smoothie Machine also cleans and sanitizes the dispensing lines, keeping the product flowing properly and consistently producing quality drinks.

- Powerful 3.0 Peak HP, direct-drive blender motor
- Over 150 different drink combinations
- Up to 7 custom flavor/additives
- 7 peristaltic pumps
- Illuminated LCD display shows instructions and status
- Self-contained, autosanitizing jar
- Custom graphics available for 2 side panels and front panel

DISPENSERS

blendtec.
COMMERCIAL

1 YEAR
WARRANTY
3.8 PEAK HP

BLENDPOINT™



Crew-Serve Refrigerated Blended Beverage Station

Created by Blendtec and Lancer, this blended ice beverage system provides the menu flexibility needed to increase profits. BlendPoint features high performance dispensing technology, including an easy to use, reliable touchscreen system with a refrigerated cabinet for on-board Bag-in-Box and topping ingredients.

- Powerful 3.8 Peak HP, direct-drive blender motor
- Blend beverages in 30 seconds or less
- 25 lb ice hopper
- Programmable cycles for unlimited beverage options
- Touch-screen user interface
- Sound dampening blend chamber door
- Cup, lid, and straw holders
- Syrup, toppings, tray, and whip cream door
- Integrated Rapid Rinse Station
- No CO2 required



1 YEAR
WARRANTY
3.8 PEAK HP

BD8™

Blender + Product Dispenser + Water

Ensure each and every drink turns out perfectly each time with the BD8. By dispensing just the right amount of water and any combination of eight different products, the BD8 helps control cost and cut waste. Just add ice and let the BD8 do the rest!

- Powerful 3.8 Peak HP, direct-drive blender motor
- Up to 64 different drink menu items
- Multiple drink sizes
- 8 peristaltic pumps
- Flat panel interface
- Blue LCD display
- USB port for easy programming changes
- Enclosed, easy-to-clean station
- Custom panel graphics available

1 YEAR
WARRANTY
3.8 PEAK HP

BDI™



Blender + Product Dispenser + Ice + Water

Create perfect mixed drinks every time with the BDI. This complete system dispenses the exact amount of water, ice, and drink mix with perfect accuracy every time with the push of a button. Adaptable for bar use, the BDI helps control waste and ensures even novice operators consistently create the perfect blended drink.

- Powerful 3.8 Peak HP, direct-drive blender motor
- 25 lb insulated ice hopper
- Up to 64 different drink menu items
- Multiple drink sizes
- Flat panel interface
- Blue LCD display
- USB port for easy programming changes
- Enclosed, easy-to-clean station
- Custom panel graphics available



1 YEAR
WARRANTY
3.8 PEAK HP

BI™

Blender + Ice + Water

The versatile BI combines an ice dispenser, water dispenser and industry-leading motor all in one. Simply add product and the BI blends it to perfection, ensuring your recipes turn out perfectly each and every time.

- Powerful 3.8 Peak HP, direct-drive blender motor
- 25 lb insulated ice hopper
- Up to 64 different drink menu items
- Multiple drink sizes
- Flat panel interface
- Blue LCD display
- Enclosed, easy-to-clean station
- Custom panel graphics available



ACCESSORIES

blendtec.
COMMERCIAL

1 YEAR
WARRANTY

RAPID RINSE STATION™



Rapid Rinse Station. Save water, space, and time.

Small, fast, and efficient. The Rapid Rinse Station reclaims valuable counter space with its minimal form factor and is perfect for stacking multiple Blendtec jars. Best of all, it can reduce exposure to harmful sanitizers that irritate skin and cause lost time on the job.

- Simple to disassemble and clean
- Easy, one-push operation
- Stainless steel nozzle for long lasting, trouble-free operation
- Effective for rinsing any container of 8" diameter or smaller
- Quick disconnect water supply coupling
- 120° spray nozzle coverage

1 YEAR
WARRANTY

ACCESSORIES



WILDSIDE+
JAR



FOUR SIDE
JAR



TWISTER JAR



MINI TWISTER
JAR



HARD LID



VENTED
GRIPPER LID



SOFT LID



COLORED ALLERGY
JARS AND LIDS

COMMERCIAL BLENDERS



	STEALTH 875™	CONNOISSEUR 825™	EZ 600™	CHEF 775™	CHEF 600™
PEAK HORSEPOWER	3.8	3.8	3.0	3.8	3.0
BLENDS PER DAY	200	150	60	100	60
BEVERAGE BLENDING	✓	✓	✓	✓	
FOOD PREP	✓			✓	✓
INTERFACE	Capacitive Touch Screen	Touch Pad	Touch Pad	Capacitive Touch Screen	Touch Pad
PROGRAMMABLE	✓ + Blend Wizard™	✓			
SOUND ENCLOSURE	✓ + Stealth Technology™	✓			
PROG - CYCLES	42 + Pulse	30, + Pulse	9, + Pulse	9, +10 sec, + Pulse	3, + high/low, + Pulse
DIMENSIONS	W: 8.6" (21.8 cm) D: 9.0" (22.9 cm) H: 17.3" (43.9 cm)	W: 9.0" (22.9 cm) D: 9.0" (22.9 cm) H: 18.7" (47.5 cm)	W: 7.0" (17.7 cm) D: 8.0" (20.3 cm) H: 15.0" (38.1 cm)	W: 7.0" (17.8 cm) D: 9.2" (23.3 cm) H: 15.6" (39.6 cm)	W: 7.0" (17.7 cm) D: 8.0" (20.3 cm) H: 15.0" (38.1 cm)
WEIGHT	15.8 lbs. (7.2 kg)	16.8 lbs. (7.6 kg)	7.1 lbs. (3.2 kg)	9.8 lbs. (4.4 kg)	7.1 lbs. (3.2 kg)
WARRANTY	3 Year (Parts, labor, freight)	3 Year (Parts, labor, freight)	1 Year (Parts, labor, freight)	3 Year (Parts, labor, freight)	1 Year (Parts, labor, freight)
COLORS	<ul style="list-style-type: none"> ■ Black ■ Cappuccino ■ Pomegranate 	<ul style="list-style-type: none"> ■ Black 	<ul style="list-style-type: none"> ■ Black ■ Slate Grey □ Polar White ■ Cappuccino ■ Pomegranate 	<ul style="list-style-type: none"> ■ Black ■ Slate Grey ■ Cappuccino ■ Pomegranate 	<ul style="list-style-type: none"> ■ Black

COMMERCIAL DISPENSERS



	SELF SERVE™	BLENDBOINT™	BDI™	BI™	BD8™
DESCRIPTION	Hassle-Free Smoothies at the Touch of a Button	Crew-Serve Refrigerated Frozen Beverage Blending	Blender + Product Dispenser with Ice/Water	Blender + Ice/Water Dispenser	Blender + Product/Water Dispenser
PEAK HORSEPOWER	3.0	3.8	3.0	3.0	3.8
CONTROLS	7 flavor buttons, 1 blend button	Intuitive touch-screen for flexible programming and operating	No-tend touchpad controls Illuminated blue LCD display	No-tend touchpad controls Illuminated blue LCD display	No-tend touchpad controls Illuminated blue LCD display
DRINK OPTIONS	150+	150+	64	64	64
PRODUCT OPTIONS	7 peristaltic pumps for most shelf-stable syrups, juices, purees	8 refrigerated bag-in-box storage locations	8 peristaltic pumps for most shelf-stable syrups, juices, purees	N/A	8 peristaltic pumps for most shelf-stable syrups, juices, purees
ICE HOPPER		✓	✓	✓	
REFRIGERATED		✓			
DIMENSIONS	W 22.3" (56.5 cm) D 30.5" (77.5 cm) H 43.8" (111.3 cm)	W 30" (76.2 cm) D 33" (83.8 cm) H 68" (172.2 cm)	W 12.0" (30.5 cm) D 21.0" (53.3 cm) H 32.0" (81.3 cm)	W 12.0" (30.5 cm) D 21.0" (53.3 cm) H 32.0" (81.3 cm)	W 18.5" (47.0 cm) D 14.5" (36.8 cm) H 21.0" (53.3 cm)
WEIGHT	280 lbs. (127.0 kg)	410 lbs. (185.9 kg)	96 lbs. (43.5 kg)	96 lbs. (43.5 kg)	68 lbs. (30.8 kg)
WARRANTY	2 Year Parts; 1 Year labor	1 Year Parts & labor	1 Year Parts & labor	1 Year Parts & labor	1 Year Parts & labor

* All Blendtec blenders come with a lifetime motor drive socket warranty.



“Blendtec has features that other blenders don’t have which gets everything done faster. And great customer service. We’ve only had one blender ever need repair. Blendtec immediately sent us a replacement. **That’s the kind of company we want to align with.**”

MATTHEW KENNEY

Founder, Matthew Kenney Culinary Academy, Raw Food Author
Santa Monica, CA



blendtec[®]
COMMERCIAL

www.blendtec.com/commercial
1-800-BLENDTEC

1206 South 1680 West
Orem, Utah 84058



VERSATILE
PRODUCTS

RELIABLE
PARTNERSHIPS

PROFITABLE
INVESTMENT



blendtec[®]
COMMERCIAL

MKT-CD-250 Catalog, Commercial, Rev A, Jan 2015